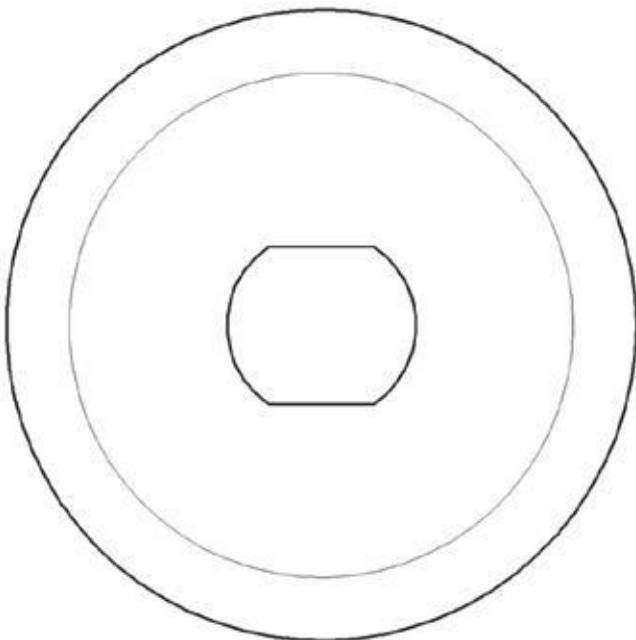


60 - 124mm Circular Blades

ASHOT #	DESCRIPTION	OEM #
34/ST220	60x22x2mm, Circular Blade, 8mm One angle	587861
34/ST217	80x22x1.5mm, Circular Blade, 10mm One angle	
34/ST218	80x ²⁵ / ₃₀ x2mm, Circular Blade, 10mm One angle	647057
34/ST219	100x ²⁵ / ₃₀ x2mm, Circular Blade, One angle	509293
34/ST304	100x ²⁵ / ₃₀ x2mm, Circular Blade, 8mm One angle, Slot	3904781
34/ST214	100x ²⁵ / ₃₀ x2mm, Circular Blade, Double angle	561611
34/ST213	100x ²⁵ / ₃₀ x2mm, Circular Blade, Double angle , 4 Slots (1.5x4mm)	629326
34/ST361	100x ²⁵ / ₃₀ x2mm, Circular Blade, Scallop Micro Tooth, S/B	3976398
34/ST305	100x ³⁵ / ₄₀ x2mm, Circular Blade, 5mm One angle	3904303
34/ST227	110x ²⁵ / ₃₀ x2mm, Circular Blade, One angle	555710
34/ST204	110x ²⁵ / ₃₀ x2mm, Circular Blade, One angle	622701
34/ST205	110x ²⁵ / ₃₀ x2mm, Circular Blade, One angle , V Slot	3930330
34/ST237	110x ²⁵ / ₃₀ x2mm, Circular Blade, SB , 4 Slot	629925
34/ST352	110x ²⁵ / ₃₀ x2mm, Circlesel Scallop ve Micro Tooth	3943374
34/ST301	125x22x2mm, Circlesel 10mm , One angle	438394
34/ST221	125x ²⁵ / ₃₀ x2mm, Circular Blade, 10mm One angle , Head Knife	509406
34/ST215	125x ²⁵ / ₃₀ x2mm, Circular Blade , One angle	662526
34/ST207	125x ²⁵ / ₃₀ x2mm, Circular Blade, One angle, 4 Slot	
34/ST351	125x ²⁵ / ₃₀ x2mm, Circlesel Scallop ve Micro Tooth	3960622
34/ST359	125x ²⁵ / ₃₅ x2mm, Round Knife, Double angle, 4 Slot (3x16mm)	629316



Part #:	34/ST217
OEM #:	
Measures:	80x22x1.5mm
Angle type:	10mm One angle

Part #:	34/ST219
OEM #:	509293
Measures:	100x ²⁵ / ₃₀ x2mm
Angle type:	10mm One angle

Part #:	34/ST214
OEM #:	561611
Measures:	100x ²⁵ / ₃₀ x2mm
Angle type:	6mm Double angle

Part #:	34/ST227
OEM #:	555710
Measures:	110x ²⁵ / ₃₀ x2mm
Angle type:	8mm One angle

Part #:	34/ST204
OEM #:	622701
Measures:	110x ²⁵ / ₃₀ x2mm
Angle type:	One angle

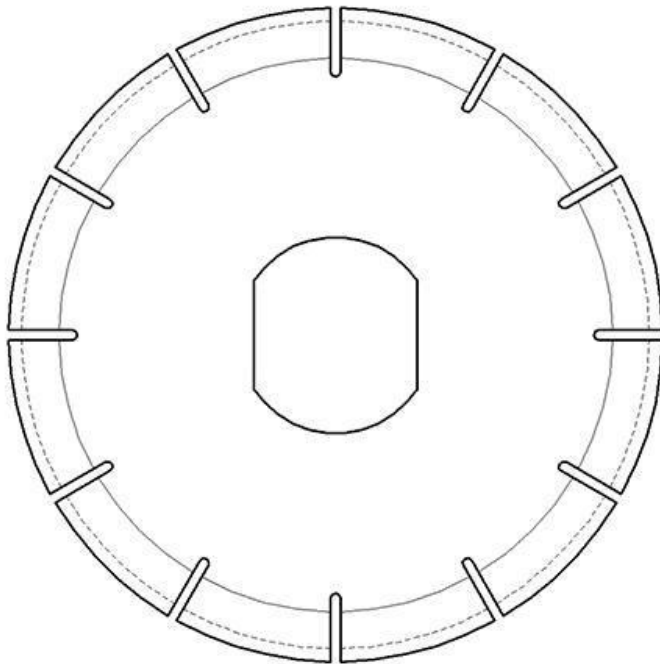
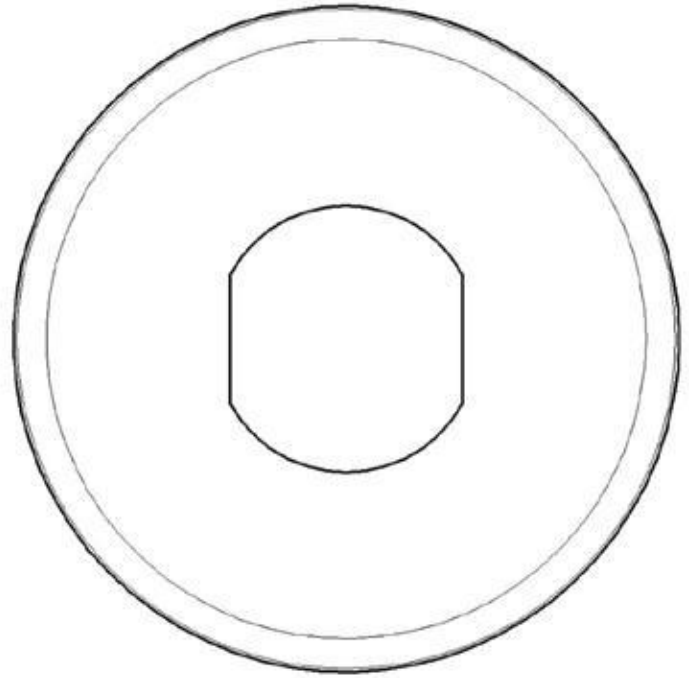
Part #:	34/ST218
OEM #:	647057
Measures:	80x ²⁵ / ₃₀ x2mm
Angle type:	10mm One angle

60 - 124mm Circular Blades

Part #:	34/ST305
OEM #:	3904303
Measures:	100x ³⁵ /40x2mm
Angle type:	5mm One angle

Part #:	34/ST215
OEM #:	662526
Measures:	125x ²⁵ /30x2mm
Angle type:	One angle

Part #:	34/ST221
OEM #:	509406
Measures:	125x ²⁵ /30x2mm
Angle type:	10mm One angle



Part #:	34/ST304
OEM #:	509293
Measures:	100x ²⁵ /30x2mm
Angle type:	One angle
Slots:	12x İnce Slot

Part #:	34/ST213
OEM #:	629326
Measures:	100x ²⁵ /30x2mm
Angle type:	6mm Double angle
Slots:	4x İnce Slot

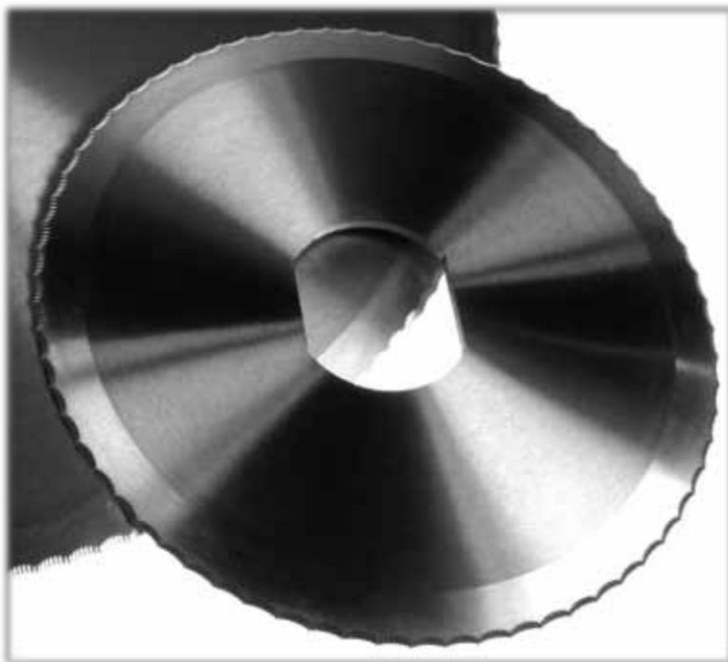
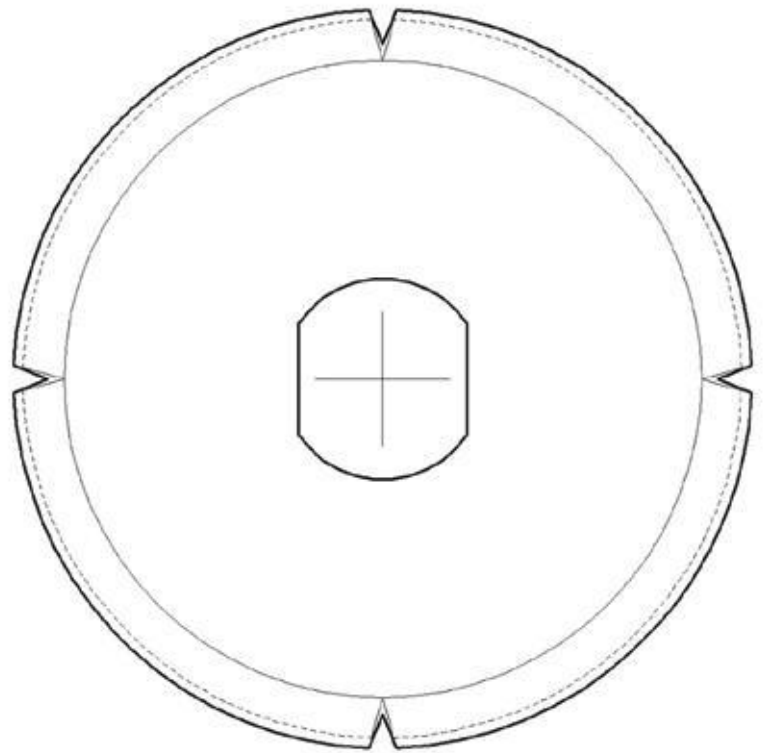
Part #:	34/ST237
OEM #:	629925
Measures:	110x ²⁵ /30x2mm
Angle type:	One angle
Slots:	4x İnce Slot

Part #:	34/ST207
OEM #:	
Measures:	125x ²⁵ /30x2mm
Angle type:	10mm One angle
Slots:	4x Geniş Slot

Part #:	34/ST359
OEM #:	629326
Measures:	125x ²⁵ /30x2mm
Angle type:	10mm Double angle
Slots:	4x Geniş Slot

60 - 124mm Circular Blades

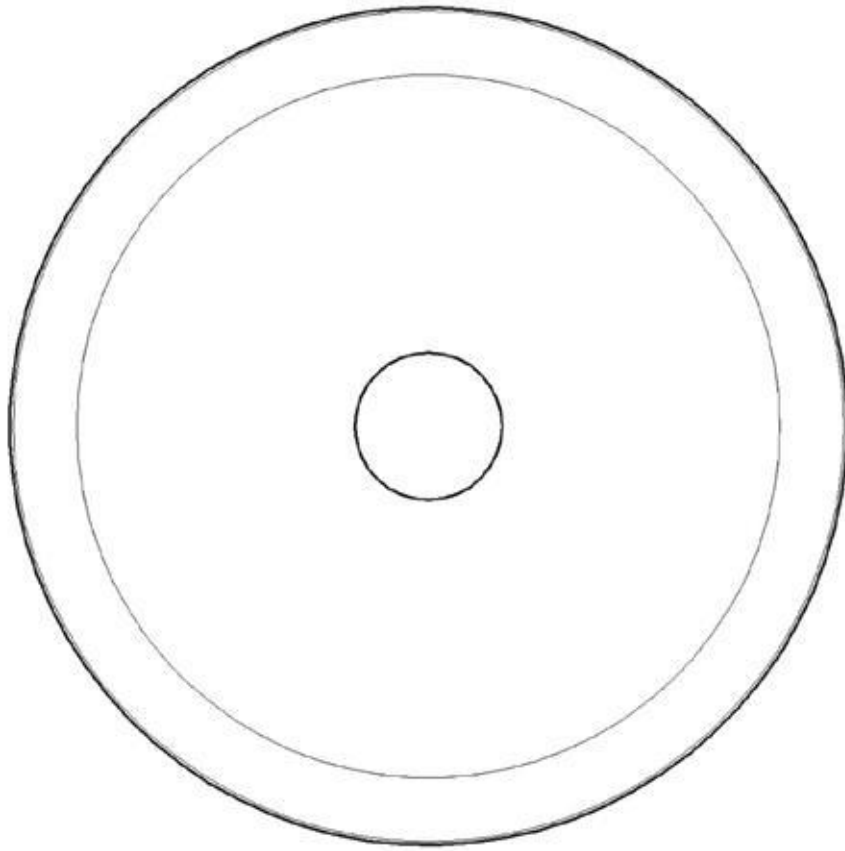
Part #:	34/ST205
OEM #:	3930330
Measures:	110x ²⁵ / ₃₀ x2mm
Angle type:	8mm One angle
Slots:	4x V Slots



Part #:	34/ST361
OEM #:	3976398
Measures:	100x ²⁵ / ₃₀ x2mm
Angle type:	8mm One angle
Teeth:	Scalloped Micro Tooth

Part #:	34/ST352
OEM #:	3943374
Measures:	110x ²⁵ / ₃₀ x2mm
Angle type:	8mm One angle
Teeth:	Scalloped Micro Tooth

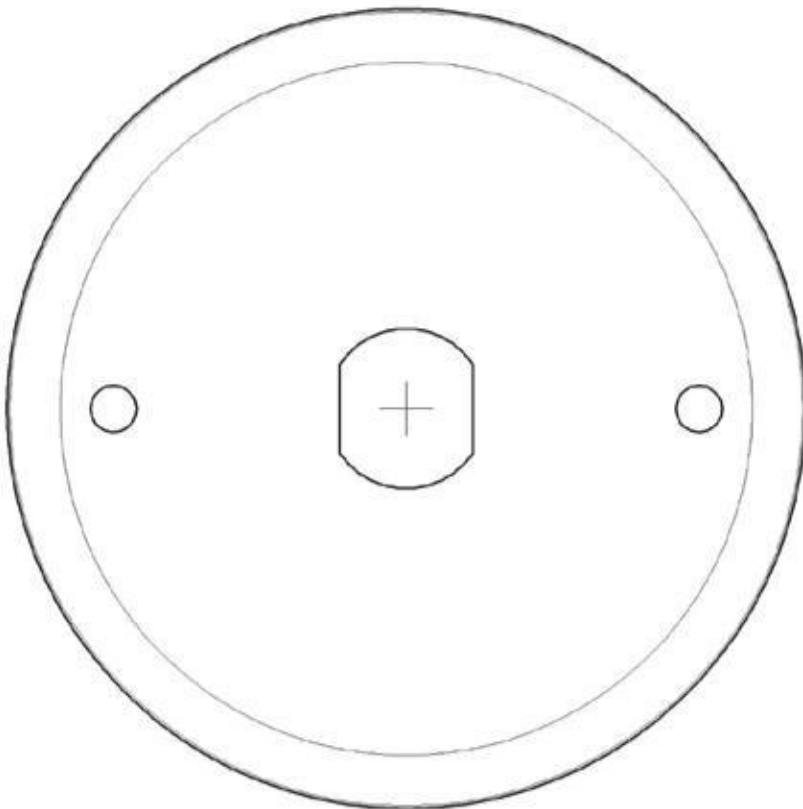
Part #:	34/ST351
OEM #:	3960622
Measures:	125x ²⁵ / ₃₀ x2mm
Angle type:	8mm One angle
Teeth:	Scalloped Micro Tooth



Part #:	34/ST301
OEM #:	438394
Angle type:	125x22x2mm
Bevel Type:	10mm One angle

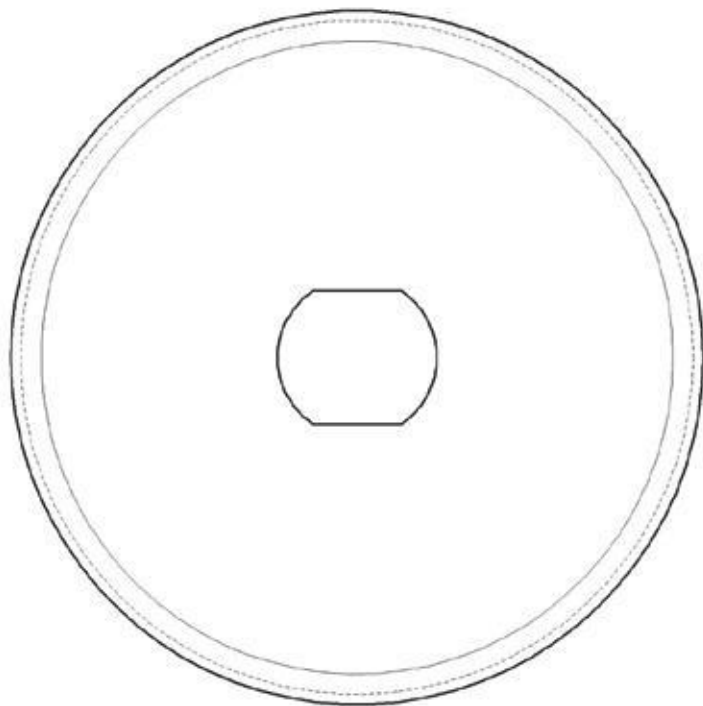
130 - 189mm Circular Blades

ASHOT #	DESCRIPTION	OEM #
34/ST339	130x ²⁵ /30x2mm, Circular Blade, One angle	
34/ST357	130x ²⁵ /30x2mm, Circular Blade, One angle	3905656C
34/ST365	135x ²⁵ /30x2mm, Circular Blade, 10mm One angle	
34/ST209	135x ²⁵ /30x2mm, Circular Blade, 12mm One angle	
34/ST210	150x ²⁵ /30x2mm, Circular Blade, 10mm Double angle	617080
34/ST216	155x ²⁵ /30x2mm, Circular Blade, 10mm One angle , 4 Slotted	636629
34/ST211	155x ²⁵ /30x2mm, Circular Blade, One angle , 4 Slotted	
34/ST306	155x ²⁵ /30x2mm, Circular Blade, One angle , Slotted	679565
34/ST360	155x ²⁵ /30x2mm, Circular Blade, Scallop Micro Tooth S/B	3976399
34/ST212	165x ²⁵ /30x2mm, Circular Blade, 4 Slotted	518391
34/ST225	175x ²⁵ /30x2mm, Circular Blade, 10mm One angle , 4 Slotted	518391
34/ST308	175x ²⁵ /30x2mm, Circular Blade, 10mm One angle , V Slotted	518976
34/ST203	175x ²⁵ /30x2mm, Circular Blade, 10mm SB, 8 Slotted	622400
34/ST202	175x ²⁵ /30x2mm, Circular Blade, 24 Scallop	3930331
34/ST224	175x ²⁵ /30x2mm, Circular Blade, Breast Knife, One angle	570971
34/ST208	175x ²⁵ /30x2mm, Circular Blade, One angle	570971J
34/ST248	175x ²⁵ /30x2mm, Circular Blade, One angle , 4 Slotted	
34/ST247	175x ²⁵ /30x2mm, Circular Blade, One angle , 4 Slotted	3904955
34/ST350	175x ²⁵ /30x2mm, Circular Blade ve Micro Tooth	3943357
34/ST201	190x ²⁵ /30x2mm, Circular Blade, 10mm S/B	



Part #:	34/ST210
OEM #:	617080
Measures:	150x ²⁵ /30x2mm
Angle type:	10mm Double angle

Part #:	34/ST224
OEM #:	570971
Measures:	175x ²⁵ /30x2mm
Angle type:	10mm One angle

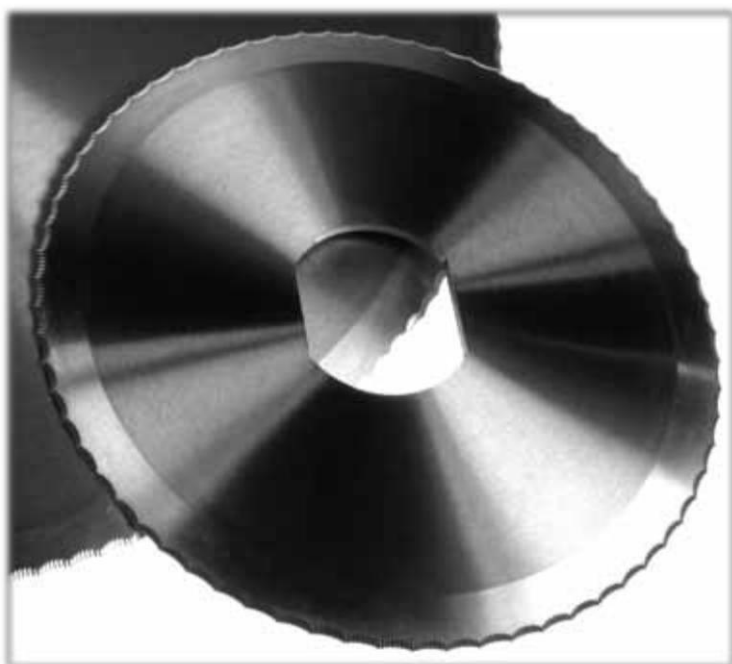


Part #:	34/ST339
OEM #:	
Measures:	130x ²⁵ /30x2mm
Angle type:	One angle

Part #:	34/ST357
OEM #:	3905656C
Measures:	130x ²⁵ /30x2mm
Angle type:	One angle

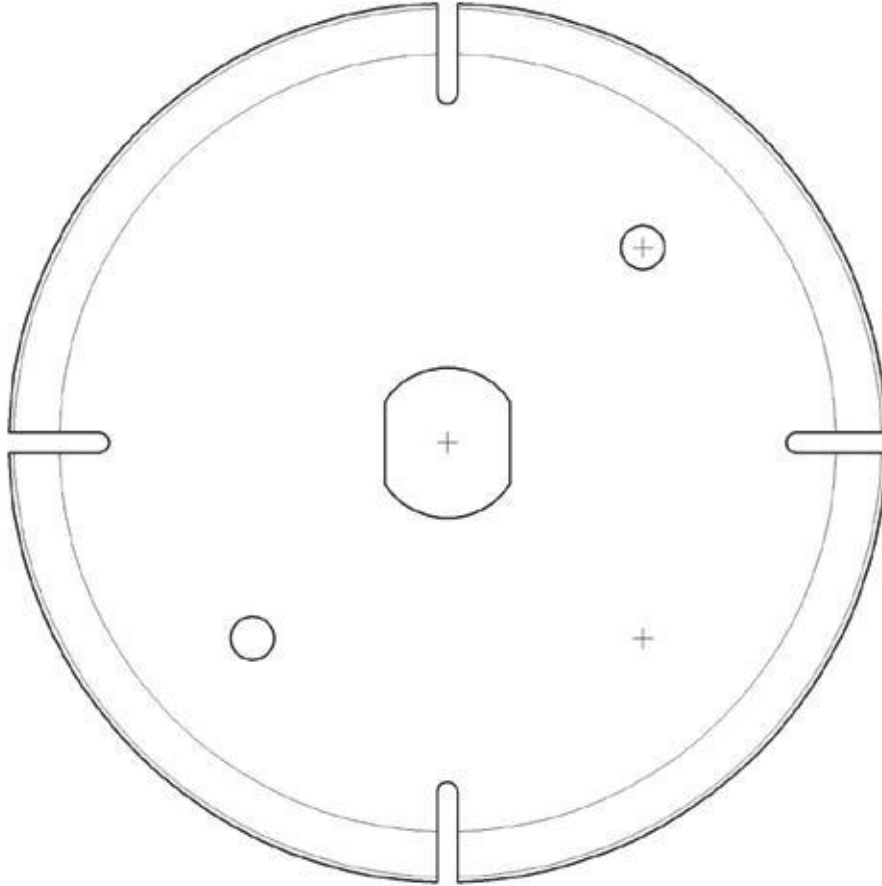
Part #:	34/ST209
OEM #:	
Measures:	135x ²⁵ /30x2mm
Angle type:	One angle

Part #:	34/ST208
OEM #:	570971J
Measures:	175x ²⁵ /30x2mm
Angle type:	One angle



Part #:	34/ST360
OEM #:	3976399
Measures:	155x ²⁵ /30x2mm
Angle type:	8mm One angle
Teeth:	Scalloped Micro Tooth

Part #:	34/ST350
OEM #:	3943357
Measures:	175x ²⁵ /30x2mm
Angle type:	8mm One angle
Teeth:	Scalloped Micro Tooth



Part #:	34/ST216
OEM #:	636629
Measures:	155x ²⁵ /30x2mm
Angle type:	One angle
Slots:	4 Slotted

Part #:	34/ST306
OEM #:	679565
Measures:	155x ²⁵ /30x2mm
Angle type:	One angle
Slots:	4 Slotted

Part #:	34/ST211
OEM #:	
Measures:	155x ²⁵ /30x2mm
Angle type:	10mm One angle
Slots:	4x Geniş Slot

Part #:	34/ST223
OEM #:	539858
Measures:	160x ²⁵ /30x2mm
Angle type:	One angle
Slots:	4 Slotted

Part #:	34/ST248
OEM #:	
Measures:	175x ²⁵ /30x2mm
Angle type:	One angle
Slots:	4 Slotted

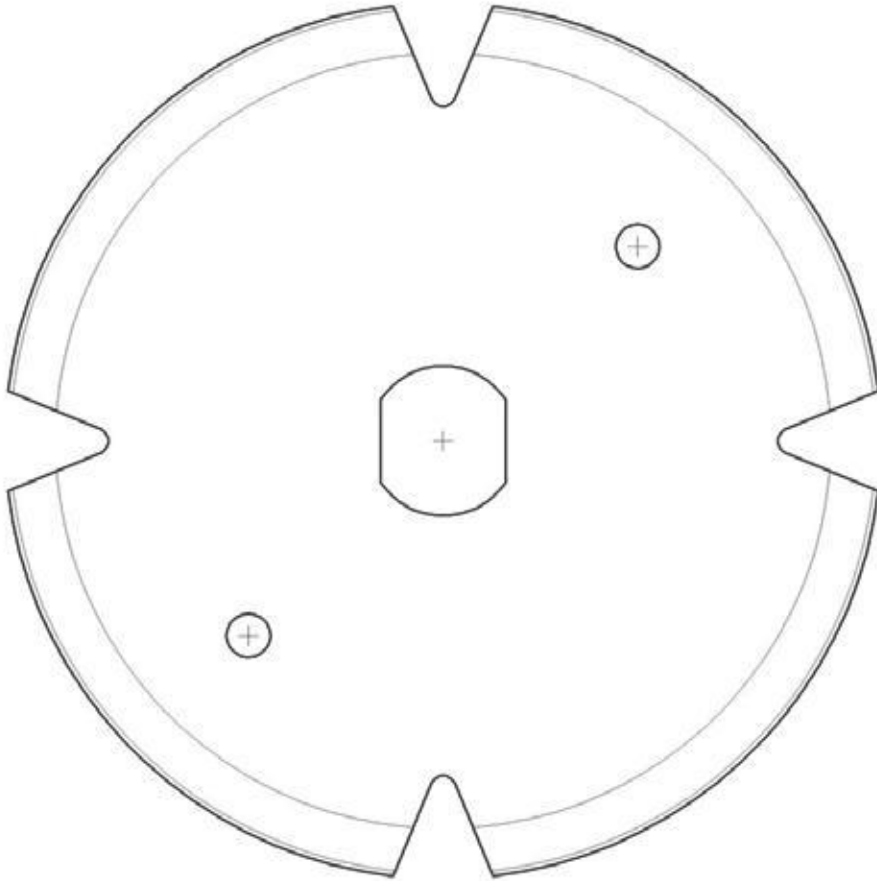
Part #:	34/ST212
OEM #:	518391
Measures:	165x ²⁵ /30x2mm
Angle type:	One angle
Slots:	4 Slotted

Part #:	34/ST203
OEM #:	622400
Measures:	175x ²⁵ /30x2mm
Angle type:	One angle
Slots:	8 Slotted

Part #:	34/ST225
OEM #:	518391
Measures:	175x ²⁵ /30x2mm
Angle type:	One angle
Slots:	4 Slotted

Part #:	34/ST247
OEM #:	3904955
Measures:	175x ²⁵ /30x2mm
Angle type:	One angle
Slots:	4 Slotted

135 - 189mm Circular Blades



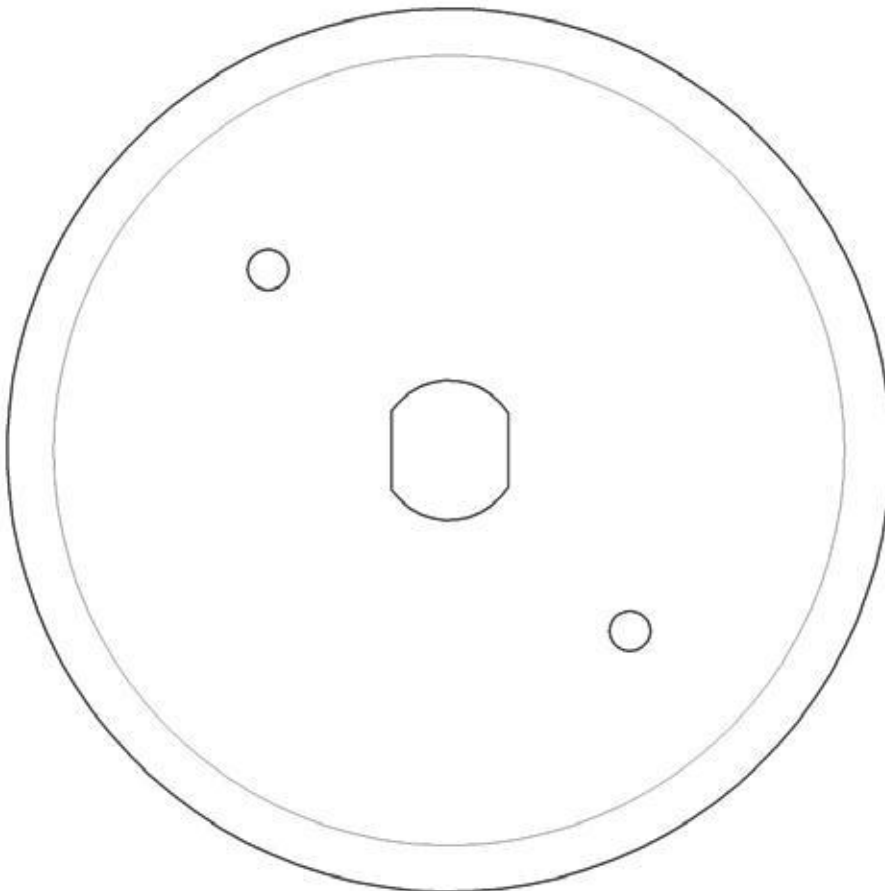
Part #:	34/ST308
OEM #:	518976
Measures:	175x ²⁵ /30x2mm
Angle type:	One angle
Slots:	4 V Slotted



Part #:	34/ST202
OEM #:	3930331
Measures:	175x ²⁵ /30x2mm
Angle type:	One angle
Scallop:	24 Scallop

190-260mm Circular Blades

ASHOT #	DESCRIPTION	OEM #
34/ST201	190x ²⁵ / ₃₀ x2mm, Circular Blade , 10mm S/B	
34/ST302	200x ²⁵ / ₃₀ x2mm, 5mm D/B Slottlu	683074
34/ST369	200x ²⁵ / ₃₀ x2mm, Circle, S/B+B/B, 24 Slots (1x10) 440B	3923256
34/ST244	200x ²⁵ / ₃₀ x2mm, Circular Blade , 10mm SB	507559
34/ST241	200x ²⁵ / ₃₀ x2mm, Circular Blade, Micro Tooth, One angle	
34/ST362	200x ²⁵ / ₃₀ x2mm, Circular Blade, Scallop Micro Tooth, S/B	3857457
34/ST226	200x32x2mm, Circular Blade , Charles Barnes	230328
34/ST363	250.5x ²⁵ / ₃₀ x2mm, Circular Blade , Scallop, One angle	676837
34/ST228	250x ²⁵ / ₃₀ x2mm, Circular Blade , ACM Knife, One angle	507547
34/ST236	250x ²⁵ / ₃₀ x2mm, Circular Blade , 10mm Double angle	507513
34/ST234	250x ²⁵ / ₃₀ x2mm, Circular Blade , 10mm One angle , 4 Slotted	596746
34/ST242	250x ²⁵ / ₃₀ x2mm, Circular Blade , 25° One angle , 8 Slotted	641955
34/ST229	250x ²⁵ / ₃₀ x2mm, Circular Blade , One angle , 4 Slotted	518180
34/ST366	250x ²⁵ / ₃₀ x2mm, Circular Blade, Scallop, Double angle	676837
34/ST349	250x ²⁵ / ₃₀ x2mm, Circlesel Scallop ve Micro Tooth	3930325
34/ST368	260x ²⁵ / ₃₀ x2.5mm Circular Blade, S/B, 8 Slotted (4x20mm)	

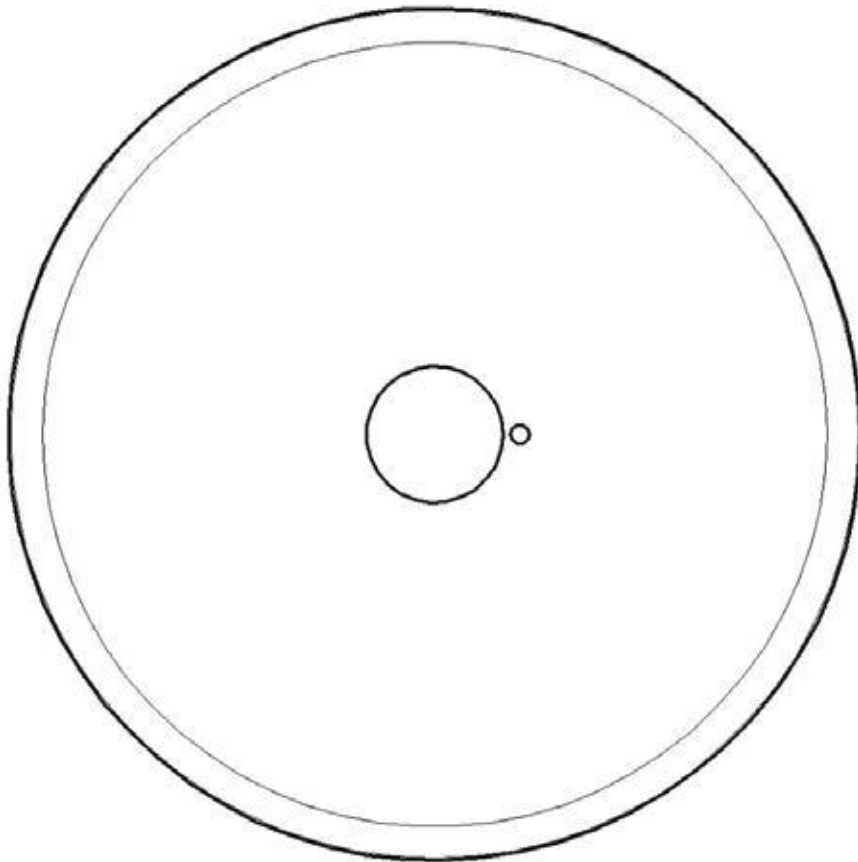


Part #:	34/ST201
OEM #:	
Measures:	190x ²⁵ / ₃₀ x2mm
Angle type:	One angle

Part #:	34/ST228
OEM #:	507547
Measures:	250x ²⁵ / ₃₀ x2mm
Angle type:	One angle

Part #:	34/ST244
OEM #:	507559
Measures:	200x ²⁵ / ₃₀ x2mm
Angle type:	One angle

Part #:	34/ST236
OEM #:	507513
Measures:	250x ²⁵ / ₃₀ x2mm
Angle type:	Double angle



Part #:	34/ST226
OEM #:	230328
Measures:	200x32x2mm
Angle type:	One angle

Part #:	34/ST241
OEM #:	
Measures:	200x ²⁵ /30x2mm
Angle type:	One angle
Teeth:	Scallop Micro Tooth

Part #:	34/ST362
OEM #:	3857457
Measures:	200x ²⁵ /30x2mm
Angle type:	One angle
Teeth:	Scallop Micro Tooth

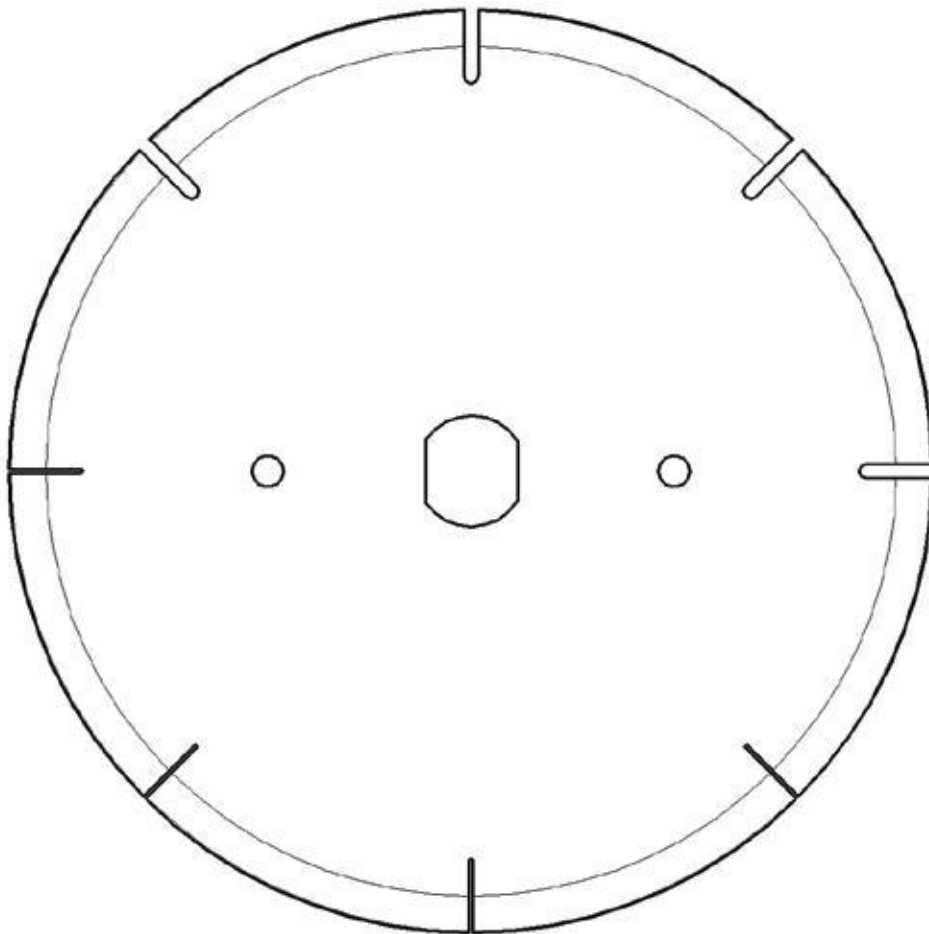
Part #:	34/ST349
OEM #:	3930325
Measures:	250x ²⁵ /30x2mm
Angle type:	One angle
Teeth:	Scallop Micro Tooth





Part #:	34/ST363
OEM #:	676837
Measures:	250x ²⁵ /30x2mm
Angle type:	One angle
Scallop:	40 Scalloplu

Part #:	10/22363
OEM #:	676837
Measures:	250x ²⁵ /30x2mm
Angle type:	Double angle
Scallop:	40 Scalloplu



Part #:	34/ST369
OEM #:	3923256
Measures:	200x ²⁵ /30x2mm
Angle type:	One angle
Slot:	24 İnce Slot

Part #:	34/ST234
OEM #:	596746
Measures:	250x ²⁵ /30x2mm
Angle type:	One angle
Slot:	4 İnce Slot

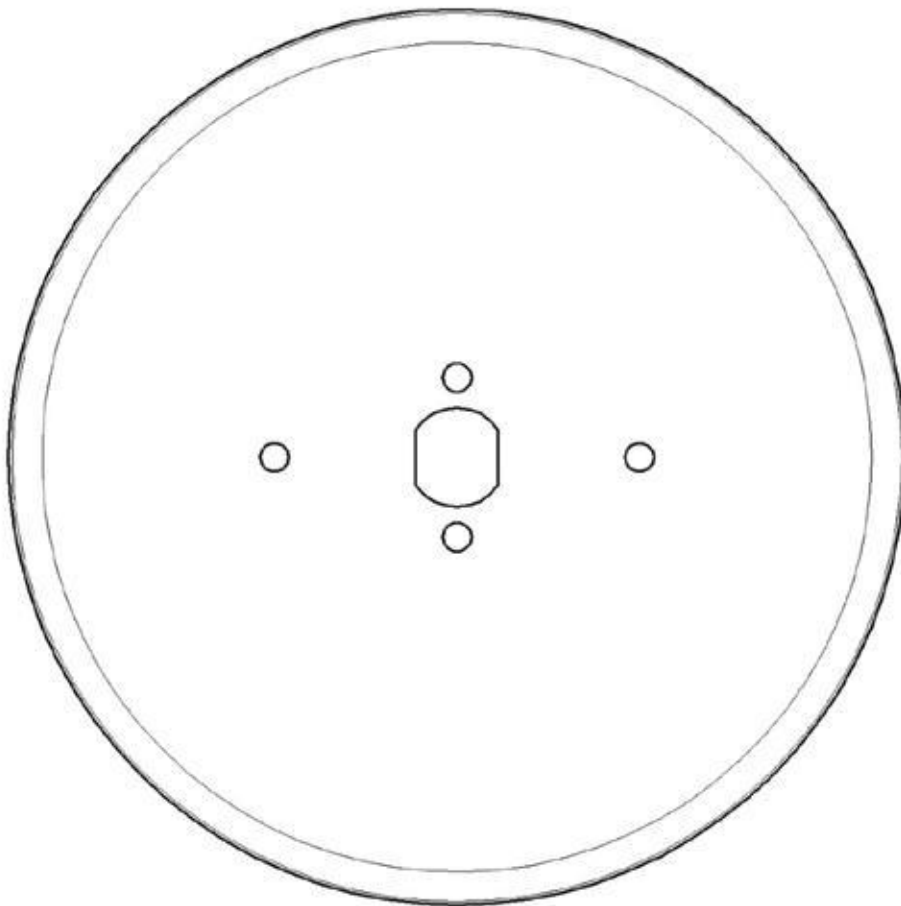
Part #:	34/ST242
OEM #:	641955
Measures:	250x ²⁵ /30x2mm
Angle type:	One angle
Slot:	8 Geniş Slot

Part #:	34/ST229
OEM #:	518180
Measures:	250x ²⁵ /30x2mm
Angle type:	One angle
Slot:	4 Geniş Slot

Part #:	34/ST368
OEM #:	
Measures:	260x ²⁵ /30x2mm
Angle type:	One angle
Slot:	8 Geniş Slot

275 - 350mm Circular Blades

ASHOT #	DESCRIPTION	OEM #
34/ST178	270x ²⁵ /30x3mm Circular Blade, 10mm Double angle	010689
34/ST206	275x ²⁵ /30x2mm, Circular Blade, One angle	572405
34/ST307	300x ²⁵ /30x2mm, Circular Blade, Double angle , 24 Slim slot	671371
34/ST238	300x ²⁵ /30x2mm, Circlesel Testere, One angle	605881
34/ST243	300x ²⁵ /30x3mm, Circular Blade, 10mm Double angle	501497
34/ST356	300x ²⁵ /30x3mm, Circular Blade, 15mm Double angle	
34/ST232	300x ²⁵ /30x3mm, Circular Blade, ACM Knife, Double angle	501497
34/ST231	300x ²⁵ /30x3mm, Circular Blade, PDC Knife, 15mm One angle	539843
34/ST240	300x ²⁵ /30x3mm, Circlesel Scallop Knife, Double angle	673314
34/ST371	300x ²⁵ /30x3mm, Circlesel, Micro Tooth, Double angle	
34/ST235	300x32x3mm, Circular Blade, 12mm, Double angle	231196
34/ST246	300x61x3mm, Circular Blade, Double angle	670808
34/ST239	350x ²⁵ /30x3mm, Circular Blade, Large double angle	669290



Part #:	34/ST178
OEM #:	010689
Measures:	270x ²⁵ /30x3mm
Angle type:	One angle

Part #:	34/ST206
OEM #:	572405
Measures:	275x ²⁵ /30x2mm
Angle type:	One angle

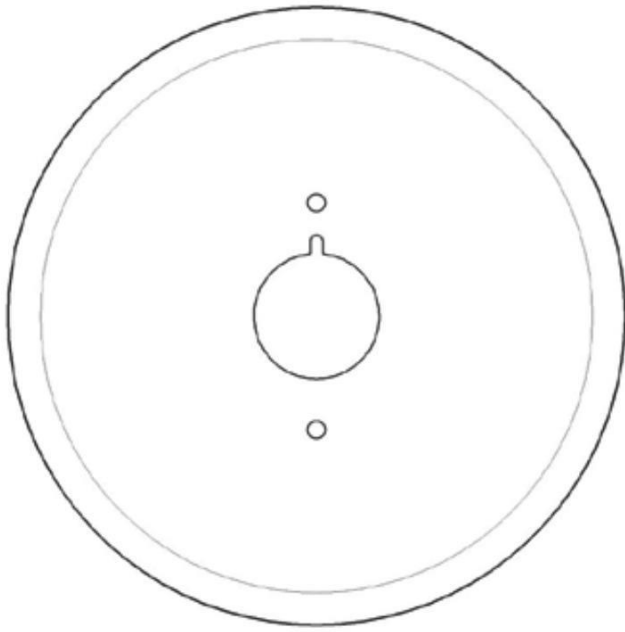
Part #:	34/ST231
OEM #:	539843
Measures:	300x ²⁵ /30x3mm
Angle type:	One angle

Part #:	34/ST243
OEM #:	501497
Measures:	300x ²⁵ /30x3mm
Angle type:	Double angle

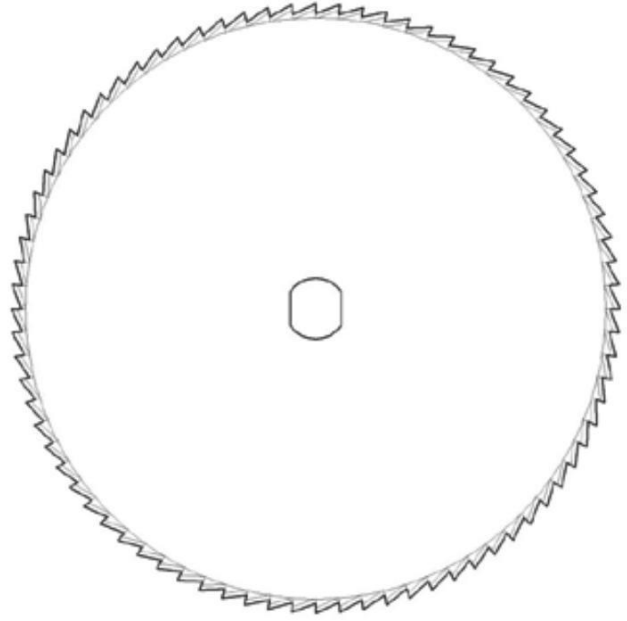
Part #:	34/ST356
OEM #:	
Measures:	300x ²⁵ /30x3mm
Angle type:	Double angle

Part #:	34/ST232
OEM #:	501497
Measures:	300x ²⁵ /30x3mm
Angle type:	Double angle

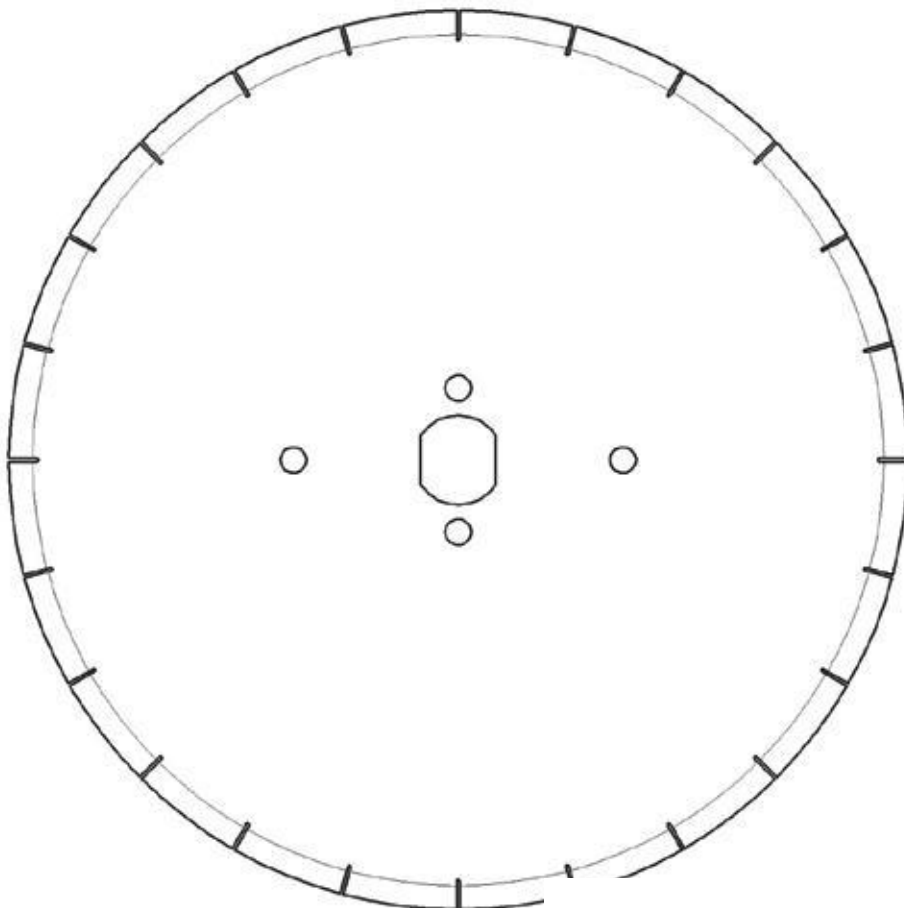
Part #:	34/ST239
OEM #:	669290
Measures:	350x ²⁵ /30x3mm
Angle type:	Double angle



Part #:	34/ST246
OEM #:	670808
Measures:	300x61x2mm
Angle type:	Double angle



Part #:	34/ST238
OEM #:	605881
Measures:	300x32x2mm
Angle type:	One angle
Teeth:	80 Testere Teeth

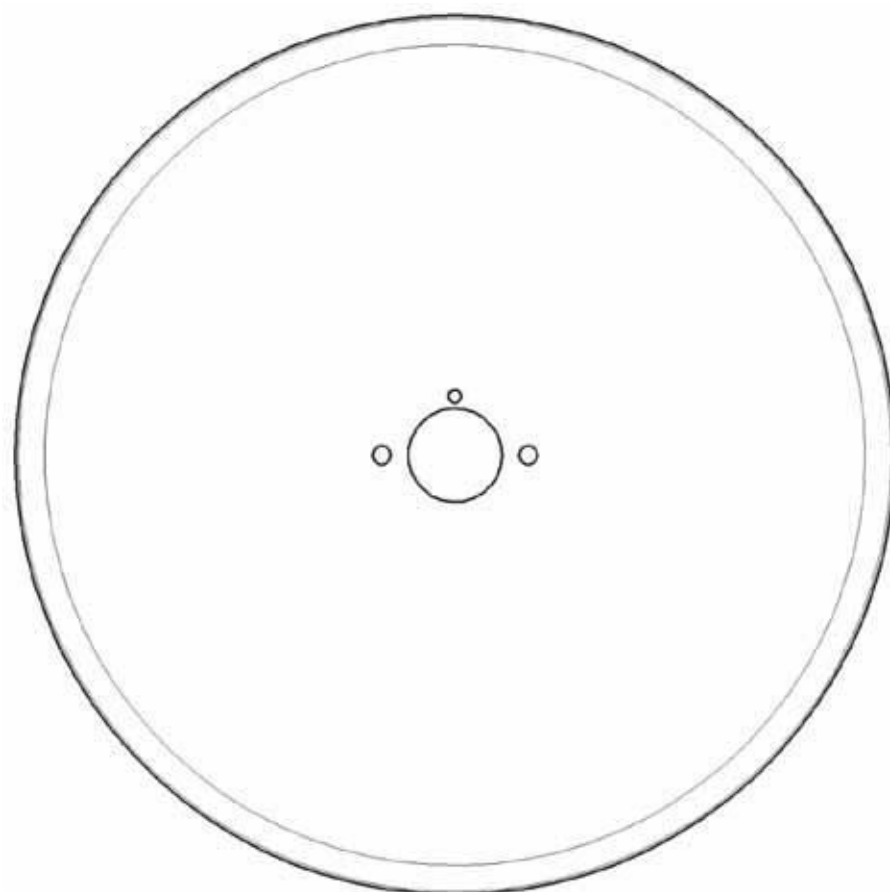


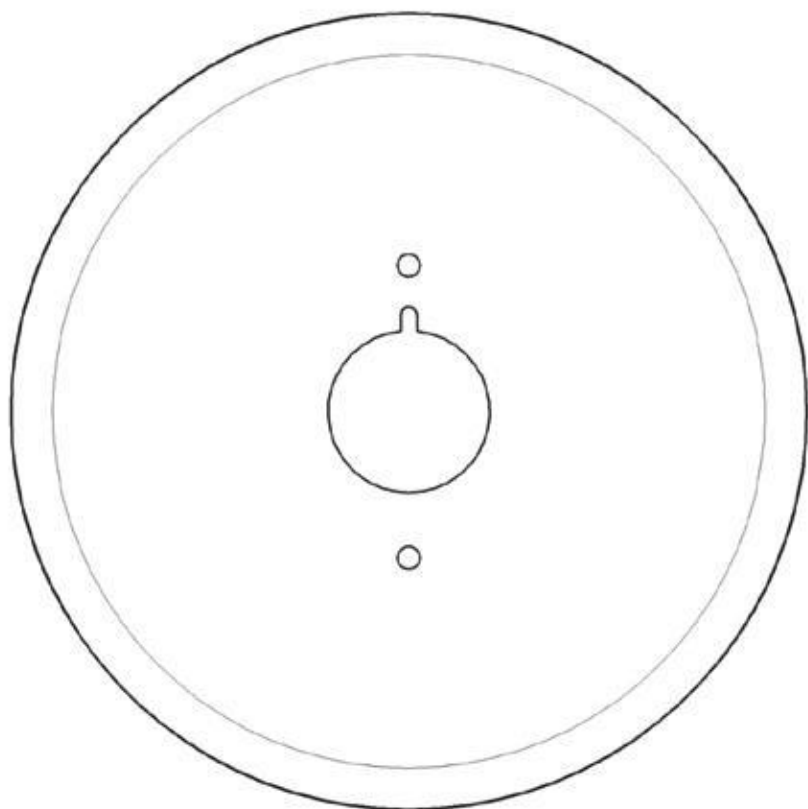
Part #:	34/ST307
OEM #:	671371
Measures:	300x ²⁵ 30x2mm
Angle type:	Double angle
Slot:	24 Slim slot



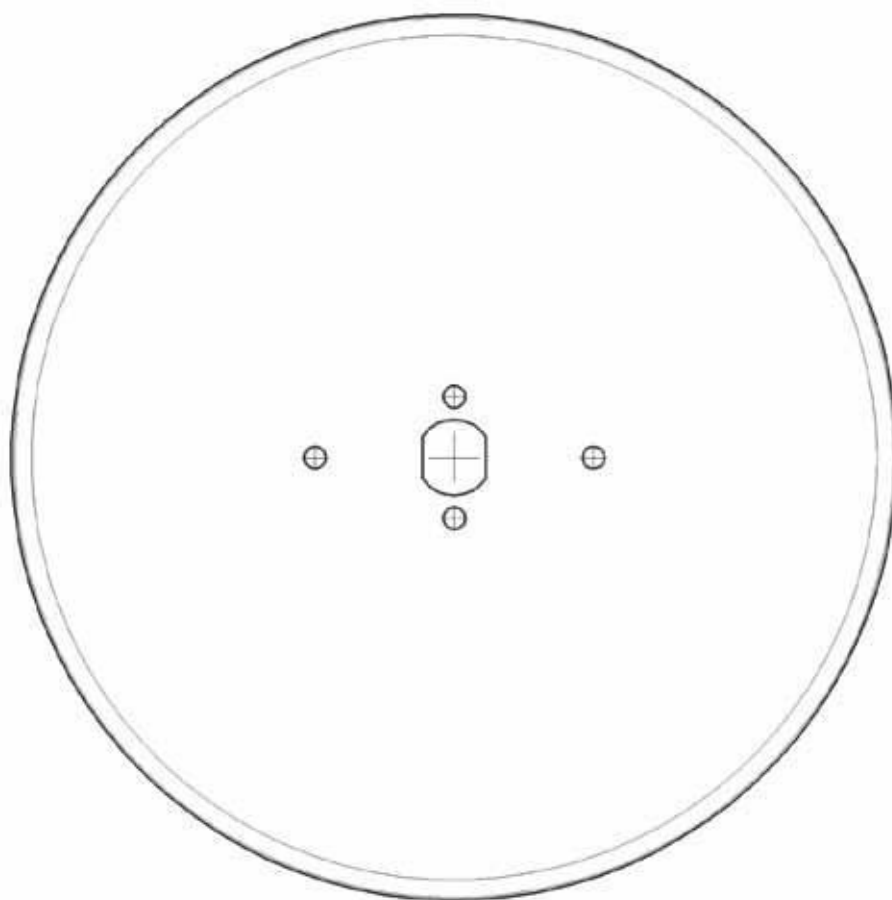
Part #:	34/ST240
OEM #:	673314
Measures:	300x ²⁵ / ₃₀ x2mm
Angle type:	Double angle
Scallop:	40 Scallop

Part #:	34/ST235
OEM #:	231196
Measures:	300x32x3mm
Angle type:	Double angle





Part #:	34/ST246
OEM #:	670808
Measures:	300x61x3mm
Angle type:	Double angle



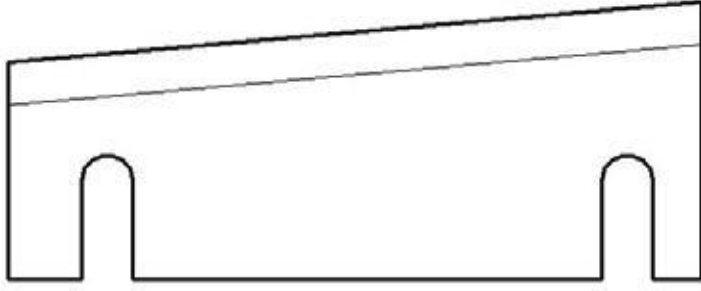
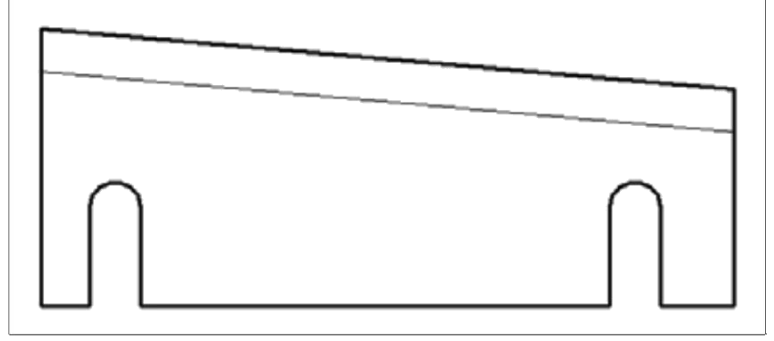
Part #:	34/ST239
OEM #:	669290
Measures:	350x ²⁵ /30x3mm
Angle type:	Double angle



ASHOT #	DESCRIPTION	OEM #
34/ST266	70x28x2.5mm, ACM Knife	4M600759
34/ST267	70x28x2.5mm, ACM Knife	4M600762
34/ST290	70x32.5x3mm, Flat Knife, Left direction	568965
34/ST289	70x32.5x3mm, Flat Knife, Right direction	568966
34/ST265	80.8x31x3mm, JLR Knife, Left direction	608788
34/ST264	80.8x31x3mm, JLR Knife, Right direction	608789
34/ST347	80x31x2.5mm, Stork JLR Knife, 15/6.5mm Rad	608788C
34/ST348	80x31x2.5mm, Stork JLR Knife, 15/6.5mm Rad	608789C
34/ST249	83.5x24.9x3.9mm, Stork Knife	3962980
34/ST343	90x31x2.5mm, JLR Knife, New Style	617359A
34/ST344	90x31x2.5mm, JLR Knife, New Style	617360A
34/ST262	90x ³⁵ / ₂₃ x2.5mm, JLR Knife, Left direction	617359
34/ST263	90x ³⁵ / ₂₃ x2.5mm, JLR Knife, Right direction	617360
34/ST322	95.75x50x4mm Bonfile Separator	3903364
34/ST323	95.75x50x4mm, Bonfile Separator	3903365
34/ST317	95x25.30x10mm Flat Knife	901556
34/ST318	95x25.30x10mm Flat Knife	901557
34/ST298	95x30.36x3mm, JLR Hindi Knife	
34/ST299	95x30.36x3mm, JLR Hindi Knife	
34/ST355	95x40x3mm, Flat Knife, One angle	647254A
34/ST286	114x30x4mm, CAP Deboner Knife	666108B
34/ST287	114x30x4mm, CAP Deboner Knife	666118B
34/ST295	114x30x4mm, CAP Deboner Knife	3905656
34/ST296	114x30x4mm, CAP Deboner Knife	3905655
34/ST328	114x30x4mm, CAP Deboner Knife	3955523A
34/ST326	114x37.5x2.2mm, JLR Knife	249671D
34/ST327	114x37.5x2.2mm, JLR Knife	249670D

60-115 mm Special Knives

Part #:	34/ST266
OEM #:	600759
Measures:	70x28x2.5mm
Angle type:	One angle



Part #:	34/ST267
OEM #:	600762
Measures:	70x28x2.5mm
Angle type:	One angle



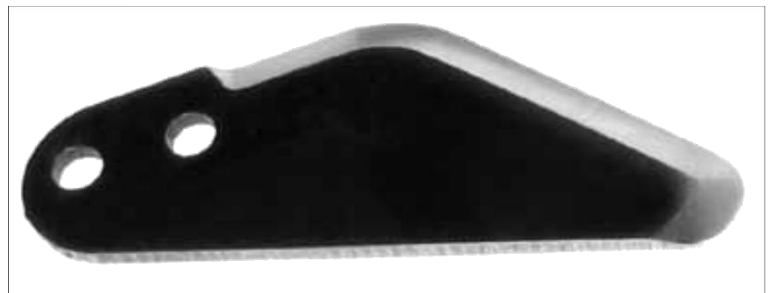
Part #:	34/ST289
OEM #:	568966
Measures:	70x32.5x3mm
Angle type:	One angle

Part #:	34/ST290
OEM #:	568965
Measures:	70x32.5x3mm
Angle type:	One angle



Part #:	34/ST265
OEM #:	608788
Measures:	80.8x31x3mm
Angle type:	One angle

Part #:	34/ST264
OEM #:	608789
Dimensions:	80.8x31x3mm
Angle type:	One angle



60-115 mm Special Knives



Part #:	34/ST347
OEM #:	608788C
Measures:	80x31x2.5mm
Angle type:	One angle



Part #:	34/ST348
OEM #:	608789C
Measures:	80x31x2.5mm
Angle type:	One angle



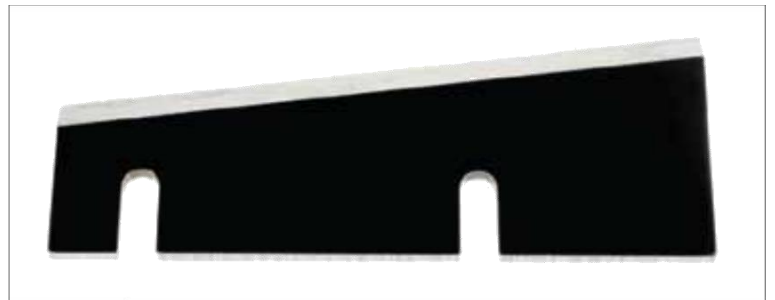
Part #:	34/ST249
OEM #:	3962980
Measures:	83.5x24.9x3.9mm
Angle type:	Double angle

Part #:	34/ST343
OEM #:	617359A
Measures:	90x31x2.5mm
Angle type:	One angle



Part #:	34/ST344
OEM #:	617360A
Measures:	90x31x2.5mm
Angle type:	One angle

Part #:	34/ST262
OEM #:	617359
Measures:	90x ³⁵ / ₂₃ x2.5mm
Angle type:	One angle



Part #:	34/ST263
OEM #:	617360
Measures:	90x ³⁵ / ₂₃ x2.5mm
Angle type:	One angle

60 - 115 mm Special Knives



Part #:	34/ST322
OEM #:	3903364
Measures:	95.75x50x4mm
Angle type:	One angle



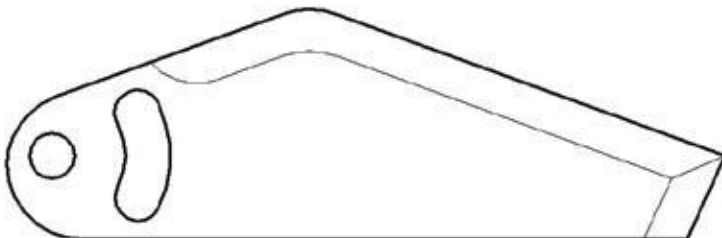
Part #:	34/ST323
OEM #:	3903365
Measures:	95.75x50x4mm
Angle type:	One angle



Part #:	34/ST317
OEM #:	901556
Measures:	95x25.30x10mm
Angle type:	One angle

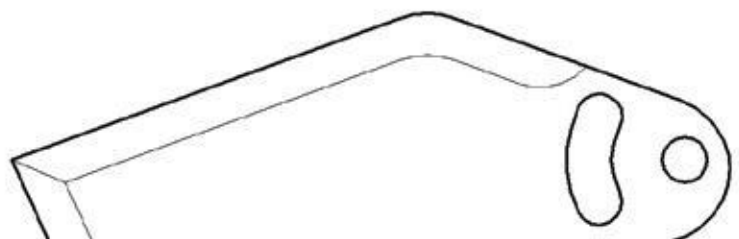


Part #:	34/ST318
OEM #:	901557
Measures:	95x25.30x10mm
Angle type:	One angle



Part #:	34/ST298
OEM #:	
Measures:	95x31x3mm
Angle type:	One angle

Part #:	34/ST299
OEM #:	
Measures:	95x31x3mm
Angle type:	One angle





Part #:	34/ST355
OEM #:	647254A
Measures:	95x40x3mm
Angle type:	One angle



Part #:	34/ST286
OEM #:	666108B
Measures:	114x30x4mm
Angle type:	Double angle, Offset

Part #:	34/ST295
OEM #:	3905656
Measures:	114x30x4mm
Angle type:	Double angle, Offset

Part #:	34/ST287
OEM #:	666118B
Measures:	114x30x4mm
Angle type:	Double angle, Offset

Part #:	34/ST296
OEM #:	3905655
Measures:	114x30x4mm
Angle type:	Double angle, Offset

Part #:	34/ST328
OEM #:	3955523A
Measures:	114x30x4mm
Angle type:	Double angle

Part #:	34/ST326
OEM #:	249671D
Measures:	114x37.5x2.2mm
Angle type:	One angle



Part #:	34/ST327
OEM #:	249670D
Measures:	114x37.5x2.2mm
Angle type:	One angle

120 - 215mm Special Knives



ASHOT #	DESCRIPTION	OEM #
34/ST275	120x30x3.90mm Yan Knife	4M622227H
34/ST276	120x30x3.90mm Yan Knife	4M622226H
34/ST313	120x33x3mm Flat Knife, One angle	616307
34/ST314	120x33x3mm Flat Knife, One angle	616308
34/ST312	120x40x3mm Flat Knife, One angle	616306
34/ST311	120x40x3mm Flat Knife, One angle	616305
34/ST341	128.8x40x3mm, Flat Knife	3997158
34/ST332	129.20x ³⁶ / ₃₀ x4mm Lades Knife	3947032E
34/ST331	129.2x ³⁶ / ₃₀ x4mm Lades Knife	3947048E
34/ST279	130x30x4mm Lades Bone Extraction Knife	652496
34/ST280	130x30x4mm Lades Bone Extraction Knife	652495
34/ST282	138x90x4mm Deboner, Right direction	629335
34/ST283	138x90x4mm, Deboner, Left direction	629336
34/ST284	145x100x4mm Deboner Right direction	629337
34/ST285	145x100x4mm Deboner, Left direction	629338
34/ST336	148x90x4mm, Left direction Deboner	629336B
34/ST335	148x90x4mm, Right direction Deboner	629335B
34/ST337	165x100x4mm, Left direction Deboner	629337B
34/ST338	165x100x4mm, Right direction Deboner	629338B
34/ST250	192x ²⁵ / ₃₀ x2mm, Wingtip Knife	554158
34/ST251	192x ²⁵ / ₃₀ x2mm, Wingtip Knife	554010
34/ST273	195x ⁶⁰ / ₁₁₀ x2.5mm, Giyotin, Double angle	600326
34/ST342	195x140x2.4mm Giyotin Knife	3908007B
34/ST252	214x50x3mm, Flat, 2 Perforated	538478
34/ST253	214x50x3mm, Flat, 2 Slotted	538479

125 - 215mm Special Knives

Part #:	34/ST275
OEM #:	622227H
Measures:	120x30x3.90mm
Angle type:	One angle



Part #:	34/ST276
OEM #:	622226H
Measures:	120x30x3.90mm
Angle type:	One angle

Part #:	34/ST314
OEM #:	616308
Measures:	120x33x3mm
Angle type:	One angle



Part #:	34/ST313
OEM #:	616307
Measures:	120x33x3mm
Angle type:	One angle

Part #:	34/ST312
OEM #:	616306
Measures:	120x40x3mm
Angle type:	One angle



Part #:	34/ST311
OEM #:	616305
Measures:	120x40x3mm
Angle type:	One angle

120 - 215mm Special Knives

Part #:	34/ST341
OEM #:	3997158
Dimensions:	128.8x40x3mm
Angle type:	One angle



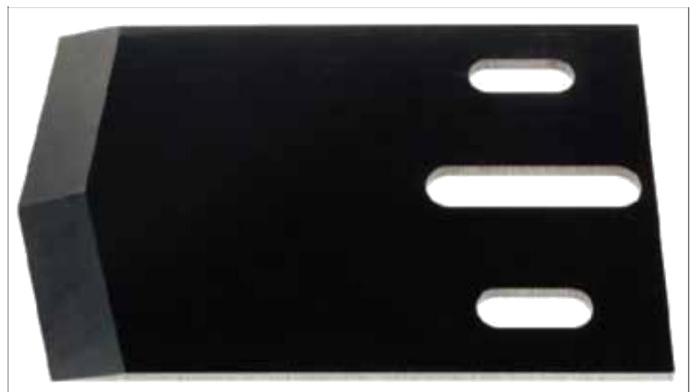
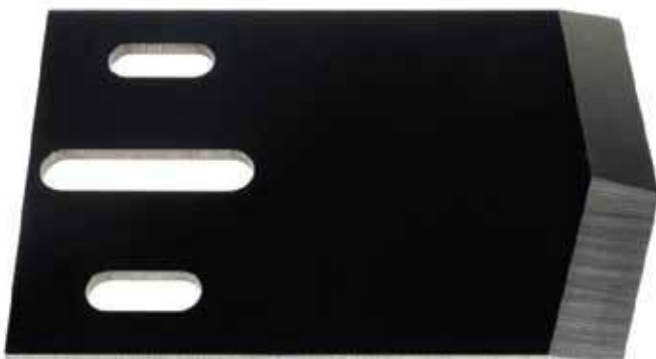
Part #:	34/ST331
OEM #:	3947048E
Measures:	129.20x ³⁶ /30x4mm
Angle type:	One angle

Part #:	34/ST332
OEM #:	3947032E
Measures:	129.20x ³⁶ /30x4mm
Angle type:	One angle



Part #:	34/ST280
OEM #:	652495
Measures:	130x30x4mm
Angle type:	One angle

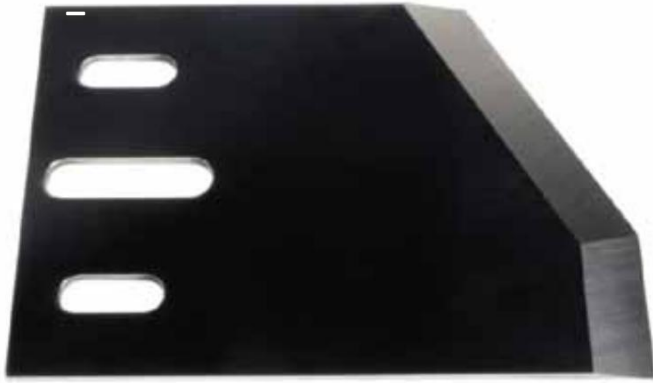
Part #:	34/ST279
OEM #:	652496
Measures:	130x30x4mm
Angle type:	One angle



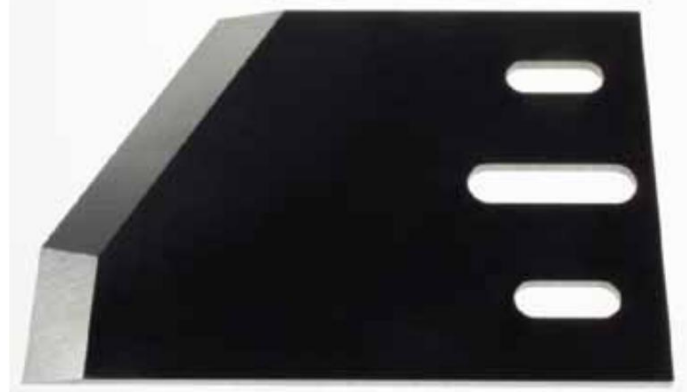
Part #:	34/ST282
OEM #:	629335
Measures:	138x90x4mm
Angle type:	One angle

Part #:	34/ST283
OEM #:	629336
Measures:	138x90x4mm
Angle type:	One angle

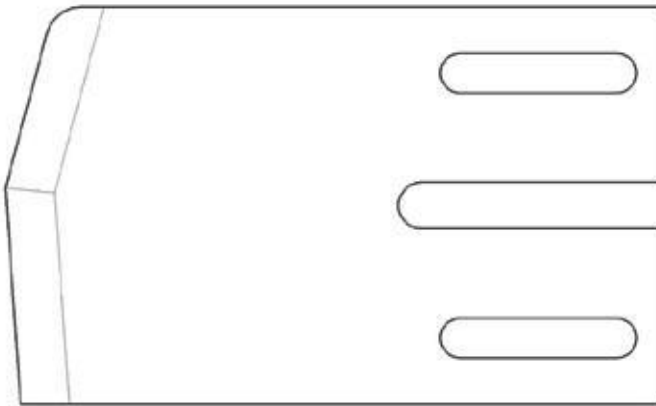
120- 215mm Special Knives



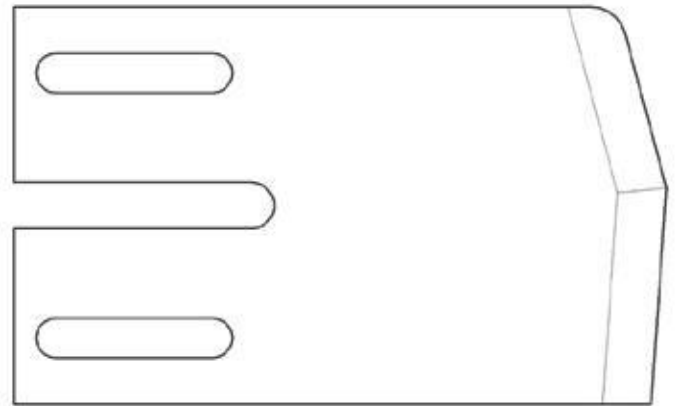
Part #:	34/ST284
OEM #:	629337
Measures:	145x100x4mm
Angle type:	One angle



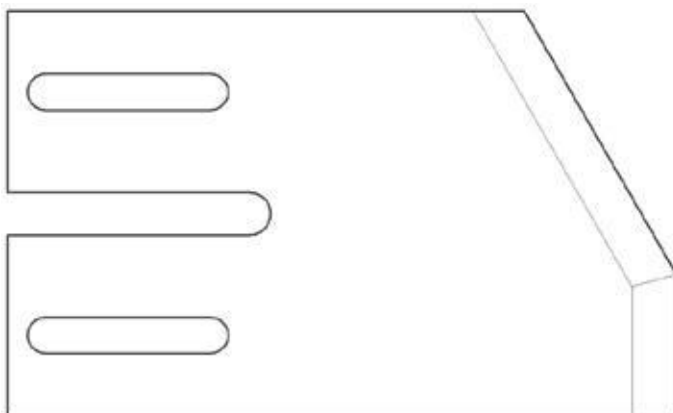
Part #:	34/ST285
OEM #:	629338
Measures:	145x100x4mm
Angle type:	One angle



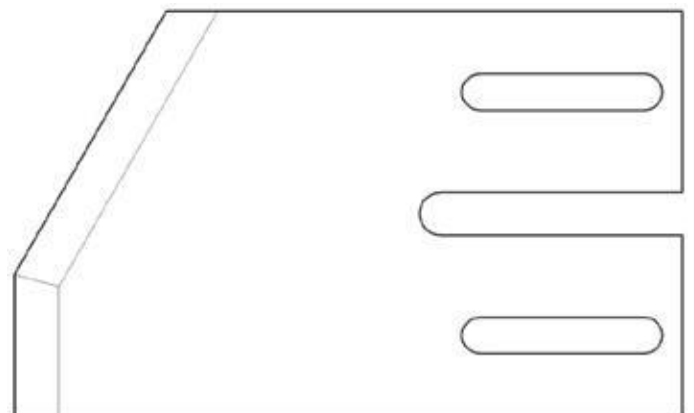
Part #:	34/ST335
OEM #:	629335B
Measures:	148x90x4mm
Angle type:	One angle



Part #:	34/ST336
OEM #:	629336B
Measures:	148x90x4mm
Angle type:	One angle



Part #:	34/ST337
OEM #:	629337B
Measures:	165x100x4mm
Angle type:	One angle



Part #:	34/ST338
OEM #:	629338B
Measures:	165x100x4mm
Angle type:	One angle



Part #:	34/ST250
OEM #:	554158
Measures:	192x ²⁵ /30x2mm
Angle type:	One angle

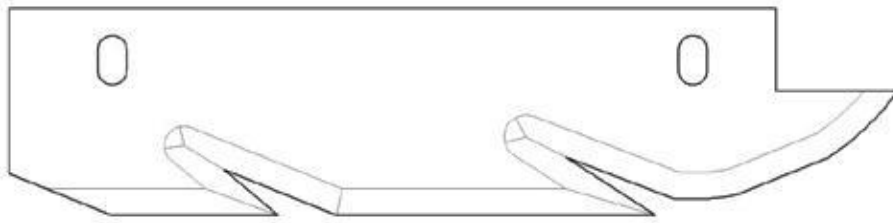
Part #:	34/ST251
OEM #:	554010
Measures:	192x ²⁵ /30x2mm
Angle type:	One angle

Part #:	34/ST273
OEM #:	600326
Measures:	195x110x2.5mm
Angle type:	Double angle



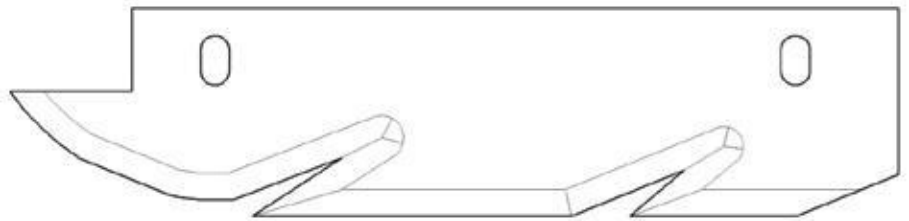
Part #:	34/ST342
OEM #:	3908007B
Measures:	195x140x2.4mm
Angle type:	Double angle

120 - 215mm Special Knives



Part #:	34/ST252
OEM #:	538478
Measures:	214x50x3mm
Angle type:	Double angle

Part #:	34/ST253
OEM #:	538479
Measures:	214x50x3mm
Angle type:	Double angle

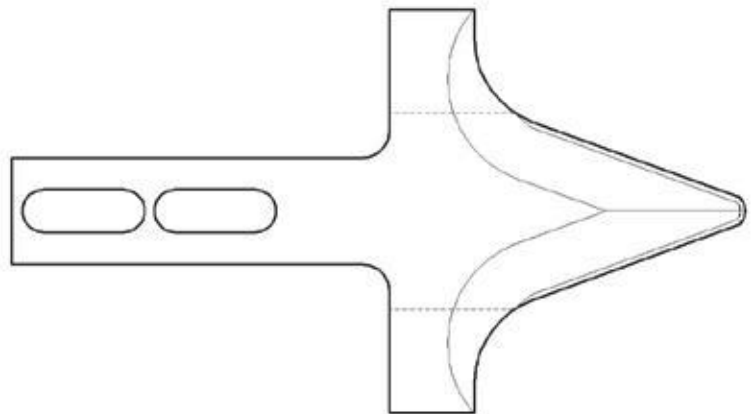


ASHOT #	DESCRIPTION	OEM #
34/ST345	138x56x4mm, Ocheaded Lades Bone Remover Knifes	675617C
34/ST333	138x ⁷⁴ / _{19.9} x4mm Ocheaded Knifes	3944237C
34/ST321	138x74x4mm Ocheaded Knifes	3966082A
34/ST281	140x45x4mm Lades Bone Arrow Knife	652727
34/ST367	144.50x56x4mm, Ocheaded Knifes	675617E
34/ST329	149x60x4mm Ocheaded (Special)	3905656C
34/ST364	150x56x4mm, Ocheaded Knifes	675617D
34/ST288	158x55x3.90mm, Ocheaded Knifes	676845A
34/ST297	140x55x4mm, Ocheaded Lades Bone Knife	675617
34/ST274	Ocheaded Lades Bone Knife	636742A



Part #:	34/ST345
OEM #:	675617C
Measures:	138x56x4mm
Angle type:	One angle

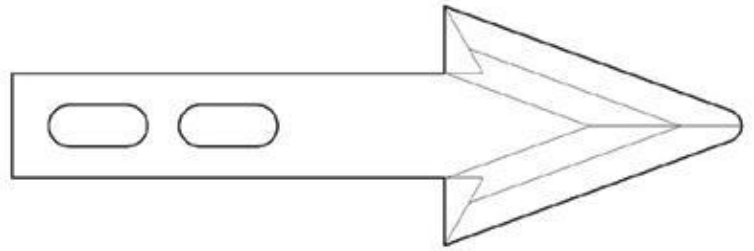
Part #:	34/ST333
OEM #:	3944237C
Measures:	138x ⁷⁴ / ₂₀ x4mm
Angle type:	One angle



Part #:	34/ST321
OEM #:	3966082A
Measures:	138x74x4mm
Angle type:	One angle

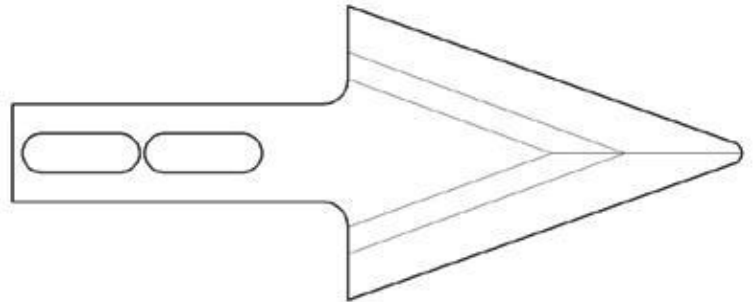
Ocheaded Knives

Part #:	34/ST281
OEM #:	652727
Measures:	140x45x4mm
Angle type:	One angle



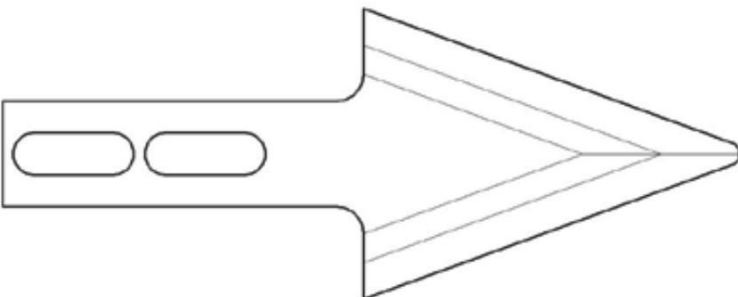
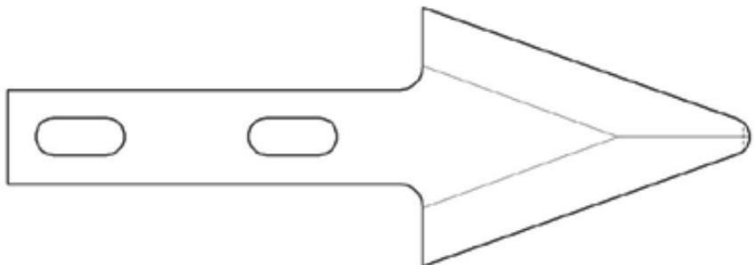
Part #:	34/ST367
OEM #:	675617E
Measures:	145x56x4mm
Angle type:	One angle

Part #:	34/ST329
OEM #:	3905656C
Measures:	149x60x4mm
Angle type:	One angle



Part #:	34/ST364
OEM #:	675617D
Measures:	150x56x4mm
Angle type:	One angle

Part #:	34/ST288
OEM #:	676845A
Measures:	158x55x3.90mm
Angle type:	One angle



Part #:	34/ST297
OEM #:	675617
Measures:	140x55x4mm
Angle type:	One angle



ASHOT #	DESCRIPTION	OEM #
34/ST358	61x41x1.5mm, Teeth Hole Opener	3981202
34/652825L/5S	66x28/25mm, Hole Drill, Left direction, 5 Slot	3932774
34/652825L/6S	66x28/25mm, Hole Drill, Left direction, 6 Slot	3972853
34/652825R/5S	66x28/25mm, Hole Drill, Right direction, 5 Slot	3931526
34/652825R/6S	66x28x25mm, Hole Drill, Right direction, 6 Slot	3970414
34/662816L/4S	66x28/16mm Stork Hole Drill (New Style), Left direction, 4 Slot	
34/662816R/4S	66x28/16mm, Stork Hole Drill (New Style), Right direction, 4 Slot	
34/682816R/5S	68x28mm, Stork Hole Drill, Right direction, 5 Slot	3906056
34/683016/5S	29.5x68mm, Hole Drill, Right direction, 5 Slot	3946279
34/683016L/5S	29.5x68mm, Hole Drill, Left direction, 5 Slot	
34/723316L/6S	72x33x16mm, Hole Drill, Left direction, 6 Slot	3906547
34/802816L/4S	80x28/16mm, Stork Hole Drill, Left direction, 4 Slot	
34/802816R/4S	80x28/16mm, Stork Hole Drill, Right direction, 4 Slot	



Part #:	34/ST358
OEM #:	3981202
Measures:	61x41x1.5mm
Teeth:	Scallop
Angle type:	Double angle



Part #:	34/662825L/5S
OEM #:	3932774
Measures:	66x28/25mm
Direction:	Left
Slot:	5x Slot
Holes:	6x Hole

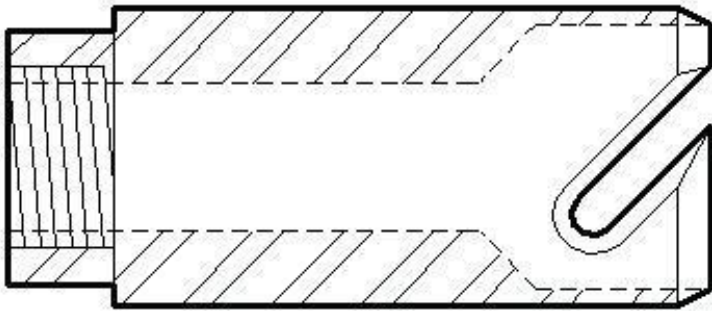
Part #:	34/662825L/6S
OEM #:	3972853
Measures:	66x28/25mm
Direction:	Left
Slot:	6x Slot
Holes:	6x Hole



Part #:	34/662825R/5S
OEM #:	3931526
Measures:	66x28/25mm
Direction:	Right
Slot:	5x Slot
Holes:	6x Hole

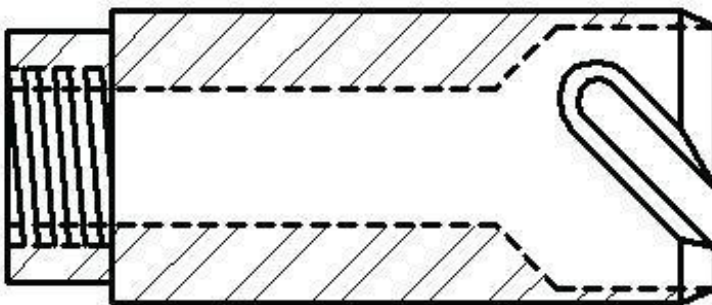
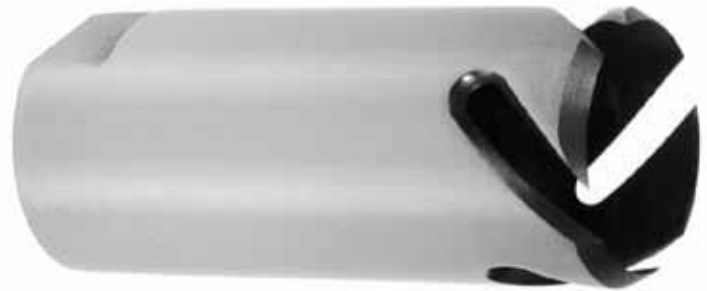
Part #:	34/662825R/6S
OEM #:	3970414
Measures:	66x28/25mm
Direction:	Right
Slot:	6x Slot
Holes:	6x Hole





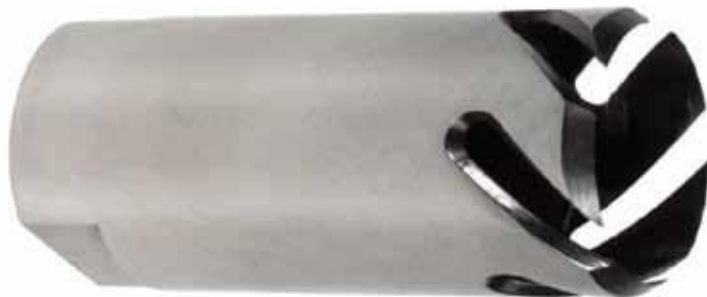
Part #:	34/662816L/4S
OEM #:	
Measures:	66x28/16mm
Direction:	Left
Slot:	4x Slot
Holes:	

Part #:	34/662816R/4S
OEM #:	
Measures:	66x28/16mm
Direction:	Right
Slot:	4x Slot
Holes:	



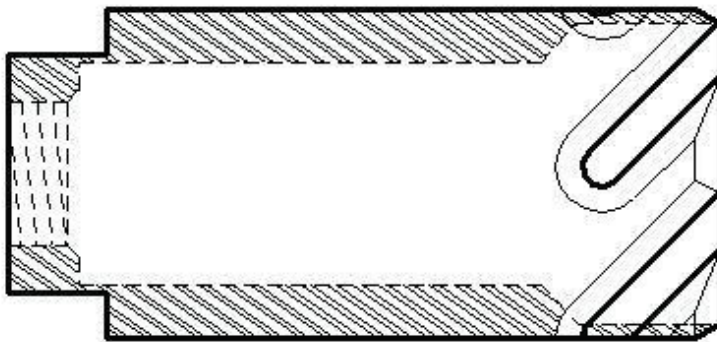
Part #:	34/682816R/4S
OEM #:	3906056
Measures:	68x28/16mm
Direction:	Right
Slot:	4x Slot
Holes:	

Part #:	34/683016R/5S
OEM #:	3946279
Measures:	68x28/16mm
Direction:	Right
Slot:	5x Slot
Holes:	





Part #:	34/683016L/5S
OEM #:	
Measures:	68x28/16mm
Direction:	Left
Slot:	5x Slot
Holes:	



Part #:	34/723316L/6S
OEM #:	3906547
Measures:	68x28/16mm
Direction:	Left
Slot:	6x Slot
Holes:	

Stork Order Code

Stork Kodu	ASHOT Part #	Description	Page
	34/ST201	190x ²⁵ / ₃₀ x2mm, Circular Blade, 10mm One angle	11
	34/ST207	125x ²⁵ / ₃₀ x2mm, Circular Blade, One angle, 4 Slot	4
	34/ST209	135x ²⁵ / ₃₀ x2mm, Circular Blade, 12mm One angle	8
	34/ST211	155x25/30x2mm, Circular Blade, One angle	9
	34/ST217	80x22x1.5mm, Circular Blade, 10mm One angle	3
	34/ST241	200x25/30x2mm, Circular Blade, MikroTeeth, One angle	12
	34/ST248	175x25/30x2mm, Circular Blade, One angle, 4 Slot	9
	34/ST298	95x30.36x3mm, JLR Hindi Knife	21
	34/ST299	95x30.36x3mm, JLR Hindi Knife	21
	34/ST339	130x25/30x2mm, Circular Blade, One angle	8
	34/ST356	300x25/30x3mm, Circular Blade, 15mm Double angle	14
	34/ST365	135x25/30x2mm, Circular Blade, 10mm Double angle	7
	34/ST368	260x25/30x2.5mm, Circular Blade, One angle, 8 Slot (4x20mm)	13
	34/ST369	200x25/30x2mm, Circlesel, One angle, 24 Slot (1x10) 440B	13
	34/662816L/4S	66x28/16mm Stork Hole Drill (New Style), Left direction , 4 Slot	33
	34/662816R/4S	66x28/16mm, Stork Hole Drill (New Style), Right direction , 4 Slot	33
	34/683016L/5S	29.5x68mm, Hole Drill, Left direction , 5 Slot	34
	34/802816L/4S	80x28/16mm, Stork Hole Drill, Left direction, 4 Slot	31
	34/802816R/4S	80x28/16mm, Stork Hole Drill, Right direction, 4 Slot	31
010689	34/ST178	270x25/30x3mm Circular Blade, 10mm D/Bevel	14
231196	34/ST235	300x32x3mm, Circular Blade, 12mm Double angle	16
249670D	34/ST327	114x37.5x2.2mm, JLR Knife	22
249671D	34/ST326	114x37.5x2.2mm, JLR Knife	22
3857457	34/ST362	200x25/30x2mm, Circular Blade, Scallop MikroTeeth, One angle	12
3903364	34/ST322	95.75x50x4mm Bonfile Separator	21
3903365	34/ST323	95.75x50x4mm, Bonfile Separator	21
3904303	34/ST305	100x35/40x2mm, Circular Blade, 5mm One angle	4
3904781	34/ST304	100x25/30x2mm, Circular Blade, 8mm One angle, Slotted	4
3904955	34/ST247	175x25/30x2mm, Circular Blade, One angle, 4 Slot	9
3905655	34/ST296	114x30x4mm, CAP Deboner	22
3905656	34/ST295	114x30x4mm, CAP Deboner, Circlesel Scallop ve MikroTeeth	22
3905656C	34/ST329	149x60x4mm Arrow Başı (Special)	30
3905656C	34/ST357	130x25/30x2mm, Circular Blade, One angle	8
3906056	34/682816R/5S	68x28mm, Stork Hole Drill, Right direction, 5 Slot	31
3906547	34/723316L/6S	72x33x16mm, Hole Drill, Left direction, 6 Slot	34
3908007B	34/ST342	195x140x2.4mm, Giyotin Knife	27
3930325	34/ST349	250x25/30x2mm, Circlesel Scallop ve MikroTeeth	12
3930330	34/ST205	110x25/30x2mm, Circular Blade, One angle, V Slot	5
3930331	34/ST202	175x25/30x2mm, Circular Blade, 24 Scallops	10
3931526	34/662825R/5S	66x28/25mm, Hole Drill, Right direction, 5 Slots	32
3932774	34/662825L/5S	66x28/25mm, Hole Drill, Left direction, 5 Slot	32
3943357	34/ST350	175x25/30x2mm, Circlesel Scallop ve MikroTeeth	8
3943374	34/ST352	110x25/30x2mm, Circlesel Scallop ve MikroTeeth	5

Stork Order Code

Stork Kodu	ASHOT Part #	Description	Page
3944237C	34/22333	138x74/19.9x4mm Arrow Headed Knife	29
3946279	34/683016/5S	29.5x68mm, Hole Drill, Right direction , 5 Slot	33
3947032E	34/22332	129.20x36/30x4mm Lades Bone Knife	25
3947048E	34/22331	129.2x36/30x4mm Lades Bone Knife	25
3955523A	34/22328	114x30x4mm, CAP Deboner Knife	22
3960622	34/22351	125x25/30x2mm, Circlesel Scallop ve MikroTeeth	5
3962980	34/22249	83.5x24.9x3.9mm, Stork Knife	20
3966082A	34/22321	138x74x4mm Arrow Headed Knife	29
3970414	34/652825R/6S	66x28x25mm, Hole Drill, Right direction, 6 Slot	32
3976398	34/ST361	100x25/30x2mm, Circular Blade, Scallop MikroTeeth, One angle	5
3976399	34/ST360	155x25/30x2mm, Circular Blade, Scallop MikroTeeth, One angle	8
3981202	34/ST358	61x41x1.5mm, Teethli Hole Opener	31
3997158	34/ST341	128.8x40x3mm, Flat Knife	25
600759	34/ST266	70x28x2.5mm, ACM Knife	19
600762	34/ST267	70x28x2.5mm, ACM Knife	19
622226H	34/ST276	120x30x3.90mm Kenar Knife	24
622227H	34/ST275	120x30x3.90mm Kenar Knife	24
230328	34/ST226	200x32x2mm, Circular Blade, Cellat	12
501497	34/ST232	300x25/30x3mm, Circular Blade, ACM Knife, 10mm Double angle	14
509293	34/ST219	100x25/30x2mm, Circular Blade	3
509406	34/ST221	125x25/30x2mm, Circular Blade, 10mm One angle, Boyun Knife	4
518180	34/ST229	250x25/30x2mm, Circular Blade, ACM Knife, One angle, 4 Slot	13
518391	34/ST225	175x25/30x2mm, Circular Blade, Harvester, One angle , 4 Slot	9
539843	34/ST231	300x25/30x3mm, Circular Blade, PDC Knife, 15mm One angle	14
539858	34/ST223	160x25/30x2mm, Circular Blade, Slotted	9
570971	34/ST224	175x25/30x2mm, Circular Blade, Göğüs Knife, 10mm One angle	7
501497	34/ST243	300x25/30x3mm, Circular Blade, 10mm Double angle	14
507513	34/ST236	250x25/30x2mm, Circular Blade, 10mm Double angle	11
507547	34/ST228	250x25/30x2mm, Circular Blade, ACM Knife, One angle	11
507559	34/ST244	200x25/30x2mm, Circular Blade, 10mm One angle	11
518391	34/ST212	165x25/30x2mm, Circular Blade, 4 Slot	9
518976	34/ST308	175x25/30x2mm, Circular Blade, 10mm One angle, V-Slots	10
538478	34/ST252	214x50x3mm, Flat, 2 Hole	28
538479	34/ST253	214x50x3mm, Flat, 2 Slot	28
555710	34/ST227	110x25/30x2mm, Circular Blade, One angle	3
561611	34/ST214	100x25/30x2mm, Circular Blade, Double angle	3
568965	34/ST290	70x32.5x3mm, Flat Knife, Left direction	19
568966	34/ST289	70x32.5x3mm, Flat Knife, Right direction	19
570971J	34/ST208	175x25/30x2mm, Circular Blade, One angle	8
572405	34/ST206	275x25/30x2mm, Circular Blade, One angle	14
596746	34/ST234	250x25/30x2mm, Circular Blade, 10mm One angle, 4 Slot	13
587861	34/ST220	60x22x2mm, Circular Blade ,8mm One angle	3
600326	34/ST273	195x60/110x2.5mm, Giyotin, Double angle	27

Stork Order Code

Stork Kodu	ASHOT Part #	Description	Page
605881	34/ST238	300x25/30x2mm, Circlesel Testere, One angle	15
608788	34/ST265	80.8x31x3mm, JLR Knife, Left direction	19
608788C	34/ST347	80x31x2.5mm, Stork JLR Knife, 15/6.5mm Rad	20
608789	34/ST264	80.8x31x3mm, JLR Knife, Right direction	19
608789C	34/ST348	80x31x2.5mm, Stork JLR Knife, 15/6.5mm Rad	20
616305	34/ST311	120x40x3mm, Flat Knife, 30° S/B, 440B St/St	24
616306	34/ST312	120x40x3mm, Flat Knife 30° S/B, 440B St/St	24
616307	34/ST313	120x33x3mm Flat Knife, 30° S/B, 440B St/St	24
616308	34/ST314	120x33x3mm Flat Knife, 30° S/B, 440B St/St	24
617080	34/ST210	150x25/30x2mm, Circular Blade, 10mm Double angle	7
617359	34/ST262	90x35/23x2.5mm, JLR Knife, Left direction	20
617359A	34/ST343	90x31x2.5mm, JLR Knife, New Style	20
617360	34/ST263	90x35/23x2.5mm, JLR Knife, Right direction	20
617360A	34/ST344	90x31x2.5mm, JLR Knife, New Style	20
622400	34/ST203	175x25/30x2mm, Circular Blade, 10mm One angle, 8 Slot	9
622701	34/ST204	110x25/30x2mm, Circular Blade, One angle	3
629316	34/ST359	125x25/35x2mm, Circular Blade, Double angle, 4 Slot (3x16mm)	4
629326	34/ST213	100x25/30x2mm, Circular Blade, Double angle, 4 Slot (1.5x4mm)	4
629335	34/ST282	138x90x4mm Deboner, Right direction	25
629335B	34/ST335	148x90x4mm, Right direction Deboner	26
629336	34/ST283	138x90x4mm, Deboner, Left direction	25
629336B	34/ST336	148x90x4mm, Left direction Deboner	26
629337	34/ST284	145x100x4mm Deboner Right direction	26
629337B	34/ST337	165x100x4mm Left direction Deboner	26
629338	34/ST285	145x100x4mm Deboner, Left direction	26
629338B	34/ST338	165x100x4mm, Right direction Deboner	26
629925	34/ST237	110x25/30x2mm, Circular Blade, One angle, 4 Slot	4
636629	34/ST216	155x25/30x2mm, Circular Blade, 10mm One angle, 4 Slot	9
636742A	34/ST274	Arrow Headed Lades Knife	29
641955	34/ST242	250x25/30x2mm, Circular Blade, 25° One angle, 8 Slot	13
647057	34/ST218	80x22x1.5mm, Circular Blade, 10mm One angle	3
647254A	34/ST355	95x40x3mm, Flat Knife, One angle	22
652495	34/ST280	130x30x4mm Lades Bone Extraction Knife	25
652496	34/ST279	130x30x4mm Lades Bone Extraction Knife	25
652727	34/ST281	140x45x4mm Lades Bone Arrow Knife	30
662526	34/ST215	125x25/30x2mm, Circular Blade, One angle	4
666108B	34/ST286	114x30x4mm, CAP Deboner	22
666118B	34/ST287	114x30x4mm, CAP Deboner	22
669290	34/ST239	350x25/30x3mm, Circular Blade, Geniş Double angle	14
670808	34/ST246	300x61x3mm, Circular Blade, Double angle	15
671371	34/ST307	300x25/30x2mm, Circular Blade, Double angle, 24 Slot (1x8mm)	15
673314	34/ST240	300x25/30x3mm, Circlesel Scallop Knife, Double angle	16
675617	34/ST297	140x55x4mm, Arrow Headed Lades Bone Knife	30

Stork Order Code

Stork Kodu	ASHOT Part #	Description	Page
675617C	34/ST345	138x56x4mm, Arrow Headed Lades Bone Remover Knife	29
675617D	34/ST364	150x56x4mm, Arrow Headed Knife	30
676837	34/ST363	250.5x25/30x2mm, Circular Blade, Scallop, One angle	13
676845A	34/ST288	158x55x3.90mm Arrow Headed Knife	30
679565	34/ST306	155x25/30x2mm, Circular Blade, One angle, Slotted	9
901556	34/ST317	95x25.30x10mm Flat Knife	21
901557	34/ST318	95x25.30x10mm Flat Knife	21